

# LF3-HL SERIES

Outdoor Lighting

**WESTGATE**  
THE FUTURE IS HERE...AND IT'S QUITE BRIGHT!

LF3-HL-50W-30K-D-KN  
LF3-HL-50W-40K-D-KN  
LF3-HL-50W-50K-D-KN

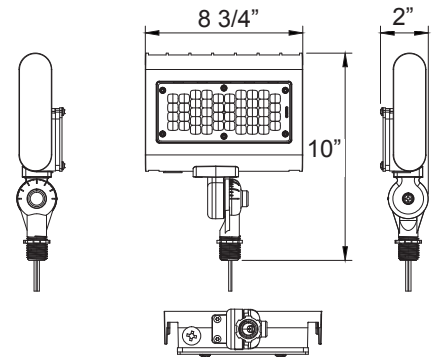


Customer Name: \_\_\_\_\_

Project Name: \_\_\_\_\_

Note: \_\_\_\_\_

Type: \_\_\_\_\_



10"(H) x 8 3/4"(W) x 2"(D)

Ideal for general site lighting, alleys, loading docks, doorway, pathway, and parking areas.

## Features

- DLC Premium & LED High-Lumen Floor lights
- LF3 0-10 Dimming Flood Light Series With 1/2" Knuckle
- 70,000 Hours Rated Life
- 7-Year Warranty
- Lens: TYPE II Optic Lens

## Technical Specifications

### Electrical:

- Voltage: 120~277VAC/50~60 Hz
- Wattage: 50W
- Power factor: >0.9
- Efficacy: 122 LPW

### Mechanical:

- Die-cast Aluminum Housing with Powder Coat Finish (Dark Bronze)
- Solid State Lighting Technology for Long Life, No Maintenance Needed and High-Efficiency
- High Conductive Aluminum LED Board
- IP Rating: IP65
- Operating Temperature: -40°F to 104°F
- Suitable for Wet Locations

### Lighting:

- Dimming: 0~10V dimmable
- Optic Lens Type: II
- LED: Philips Lumileds Luxeon 3030 High Flux LED
- Cord Type: 6' SJTW 18/3 AWG cable
- Total Lumens: 6100LM
- Color Temperature: 3000K/ 4000K/ 5000K
- Color Rendering Index:  $\geq 82$
- Beam Angle: 120°x90°

### Applications:

- Ideal for general site lighting, alleys, loading docks, doorway, pathway and parking areas.
- Replace existing HID flood lights/ wall packs
- Great for use with motion sensors or other bi-level controls

### Other Models:

- 30K | 3600LM | LF3-HL-30W-30K-D-KN
- 40K | 3600LM | LF3-HL-30W-40K-D-KN
- 50K | 3600LM | LF3-HL-30W-50K-D-KN

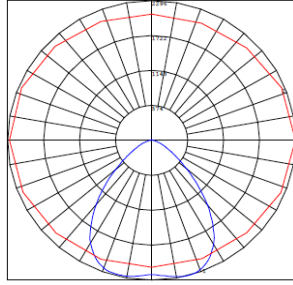
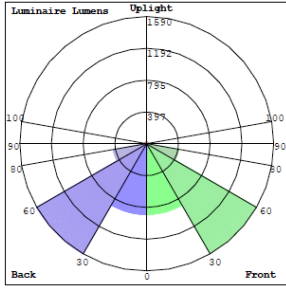


Phone: (877) 805-2252 | Fax: (877) 805-2252  
www.westgatemfg.com | www.westgatecontrols.co

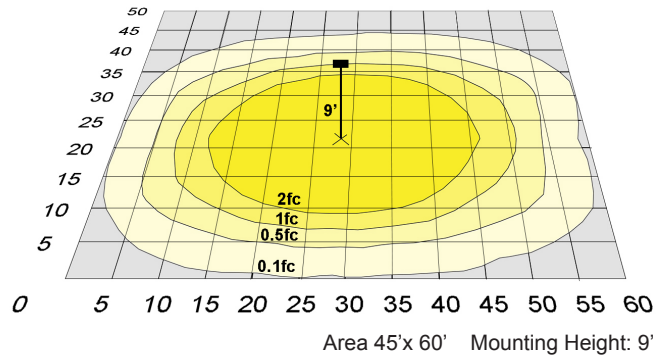


# Photometrics: LF3-HL-50W-D-KN

TYPE II



BUD Rating: B2-U2-G1



## Other Views:



Front View



Side View



Back View

## Performance Table: LF3-HL-50W-D-KN

MODEL NO.	Wattage	Voltage	Lumens	Color Temp.	BUG Rating	LPW
LF3-HL-50W-50K-D-KN	50W	120~277V	6100LM	3000K	B2-U2-G1	120
LF3-HL-50W-40K-D-KN	50W	120~277V	6100LM	4000K	B2-U2-G1	120
LF3-HL-50W-50K-D-KN	50W	120~277V	6100LM	5000K	B2-U2-G1	120

## Sample Ordering

Model Wattage Color Temp.

LF3 - HL - 50W -  - D - KN

30K = 3000K  
40K = 4000K  
50K = 5000K

## Accessories Options

Blank = No Option For Accessories  
LF3-SH2 = Shroud for LF3 50W Reversible  
LF3-SH2FG = Full-Glare Shroud for LF3 50W

## Example:

1.LF3-HL-50W-30K-D-KN (For LF3 50W 3000K fixture 120~277V)  
2.LF3-HL-50W-30K-D-KN (For LF3 50W 3000K fixture 120~277V)  
LF3-SH2 (For Shroud for LF3 50W Reversible)

## ACCESSORIES OPTIONS



LF3-SH2  
Shroud (Reversible)



LF3-SH2FG  
Full-Glare Shroud

